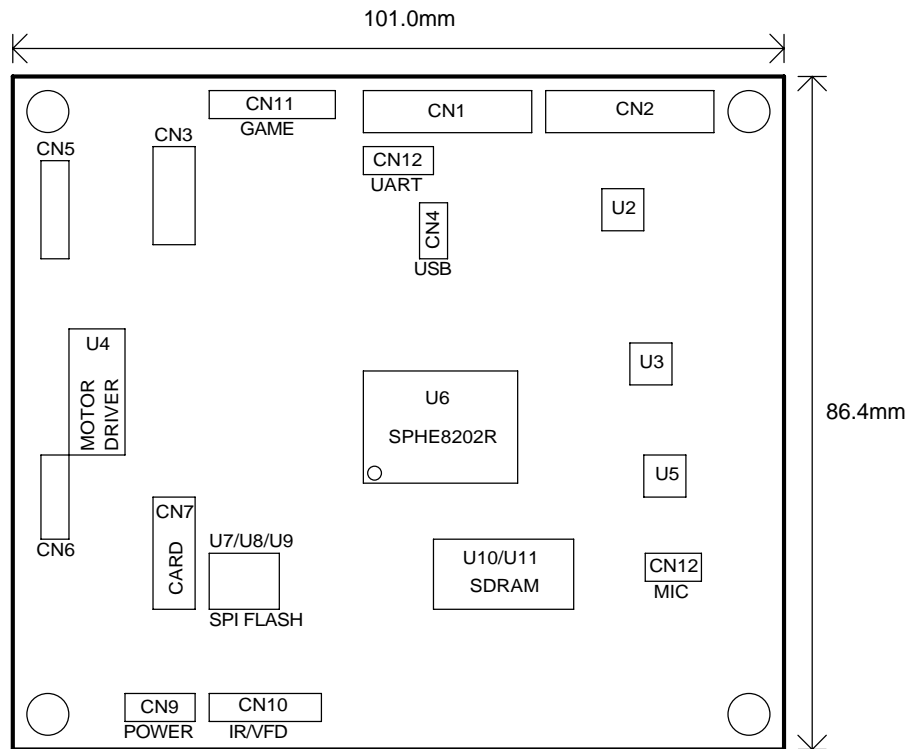


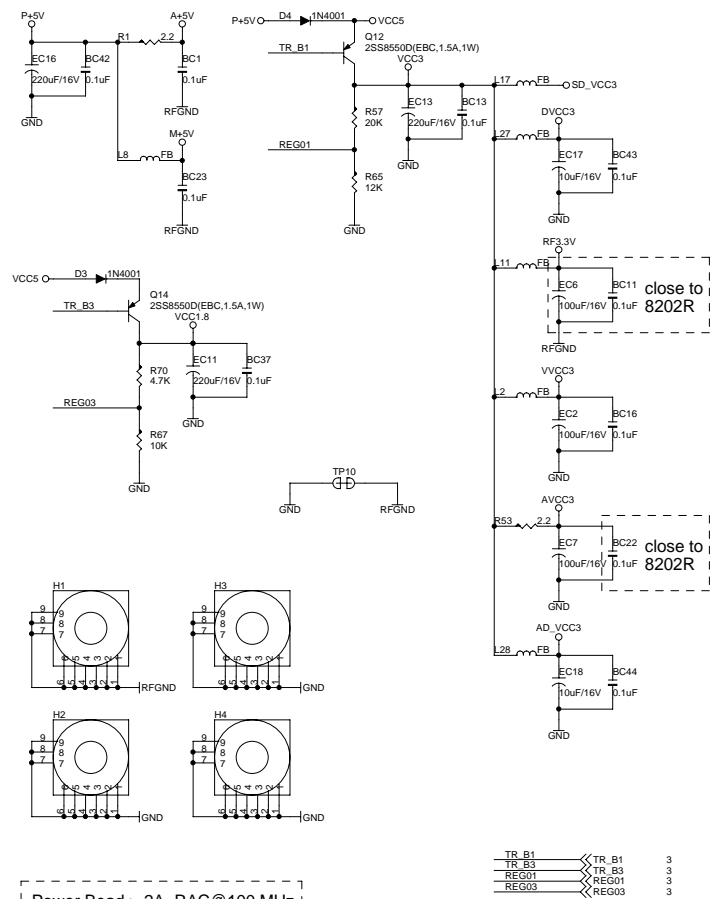
Sunplus SPHE8202R Demo Board

8202R-16-SY-128-0-CZ

- 01: INDEX / PLACEMENT
- 02: POWER / CONNECTOR
- 03: SPHE8202R
- 04: SDRAM / SPI FLASH
- 05: VIDEO
- 06: AUDIO

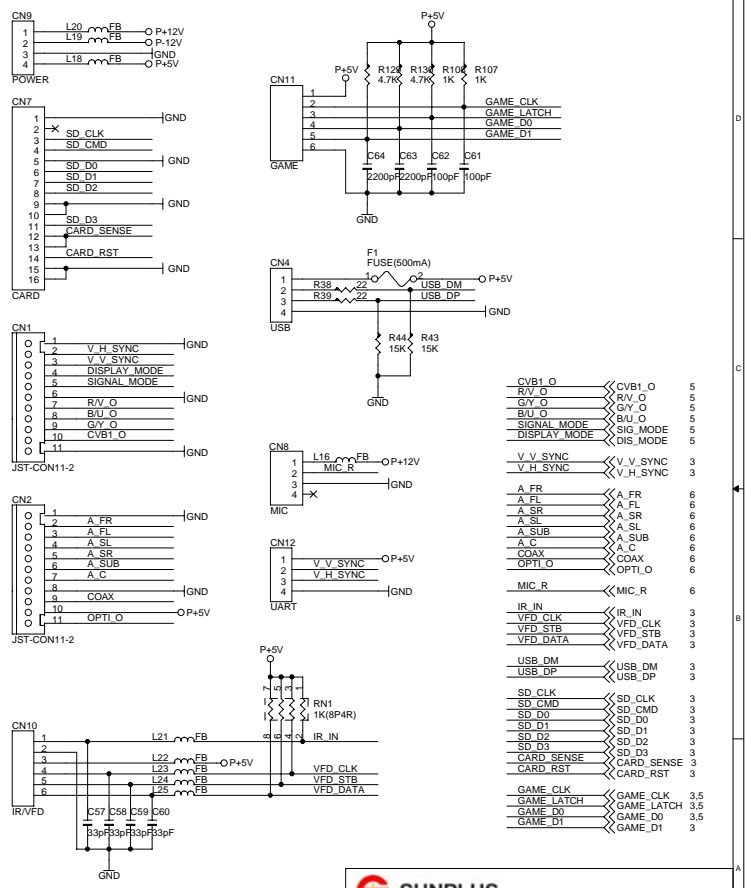


Title		INDEX / PLACEMENT	
Size	Document Number	Rev	CZ
Custom	8202R-16-SY-128-0-CZ		
Date:	Monday, May 14, 2007	Sheet	1 of 7



Power Bead > 2A, RAC@100 MHz
= 70 ohm, RDC(max)= 0.4 ohm

- TR_B1 << TR_B1 3
- TR_B3 << TR_B3 3
- REG01 << REG01 3
- REG03 << REG03 3



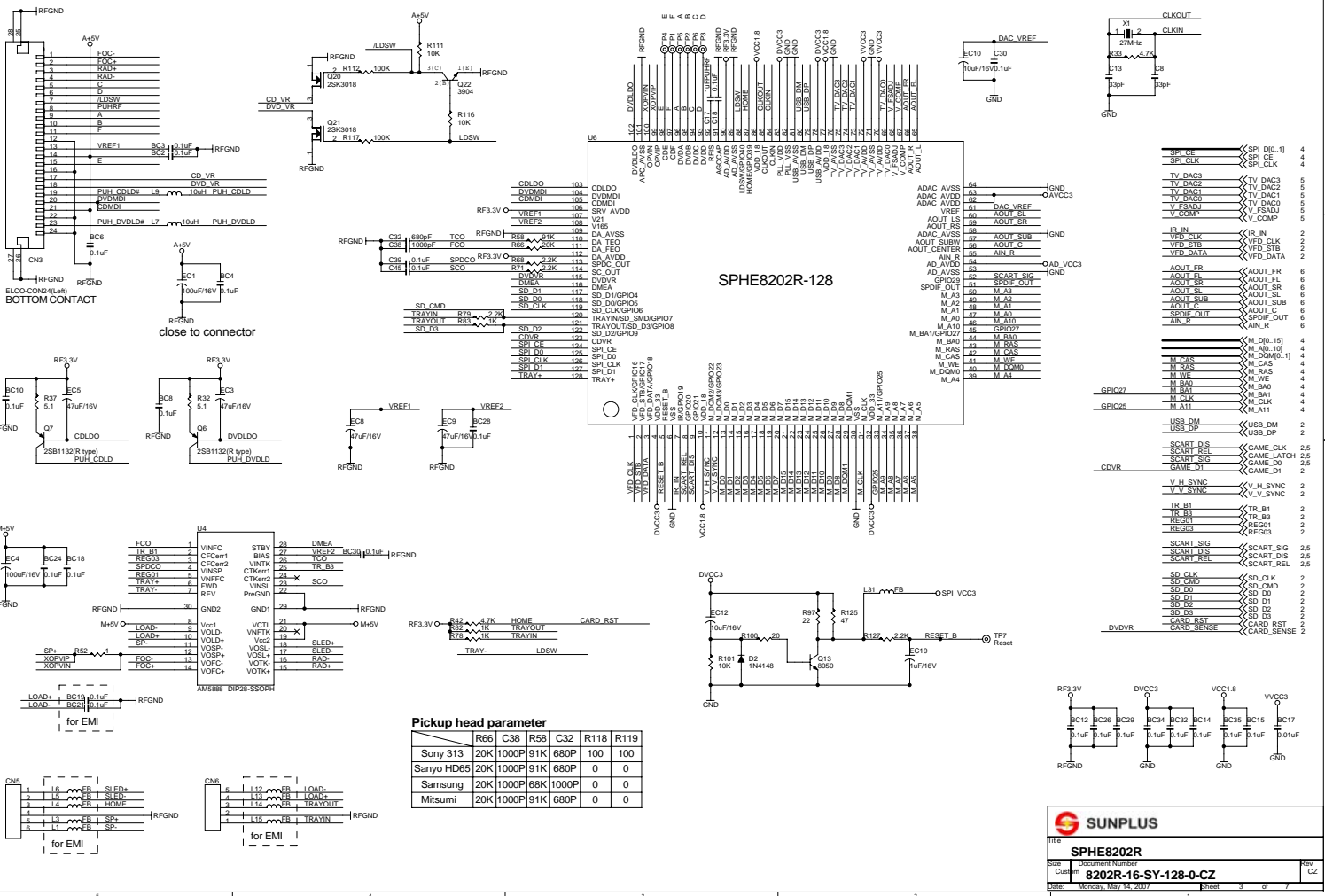
- CVB1_O << CVB1_O 5
- R/V_O << R/V_O 5
- G/Y_O << G/Y_O 5
- BIU_O << BIU_O 5
- SIGNAL_MODE << SIG_MODE 5
- DISPLAY_MODE << DIS_MODE 5
- V_V_SYNC << V_V_SYNC 3
- V_H_SYNC << V_H_SYNC 3
- A_FR << A_FR 6
- A_FL << A_FL 6
- A_SR << A_SR 6
- A_SL << A_SL 6
- A_SUB << A_SL 6
- A_C << A_SUB 6
- COAX << COAX 6
- OPTI_O << OPTI_O 6
- MIC_R << MIC_R 6
- IR_IN << IR_IN 3
- VFD_CLK << VFD_CLK 3
- VFD_STB << VFD_STB 3
- VFD_DATA << VFD_DATA 3
- USB_DM << USB_DM 3
- USB_DP << USB_DP 3
- SD_CLK << SD_CLK 3
- SD_CMD << SD_CMD 3
- SD_D0 << SD_D0 3
- SD_D1 << SD_D1 3
- SD_D2 << SD_D2 3
- SD_D3 << SD_D3 3
- CARD_SENSE << CARD_SENSE 3
- CARD_RST << CARD_RST 3
- GAME_CLK << GAME_CLK 3,5
- GAME_LATCH << GAME_LATCH 3,5
- GAME_D0 << GAME_D0 3,5
- GAME_D1 << GAME_D1 3

SUNPLUS

Title: **POWER / CONNECTOR**

Size: Custom Document Number: **8202R-16-SY-128-0-CZ** Rev: CZ

Date: Monday, May 14, 2007 Sheet: 2 of 7



SUNPLUS

SPHE8202R

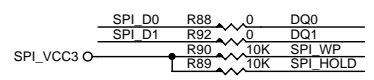
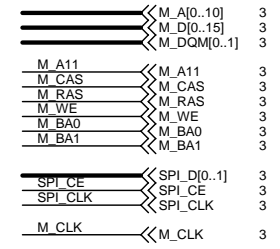
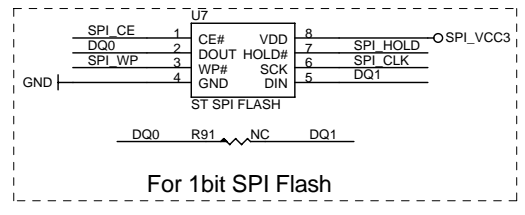
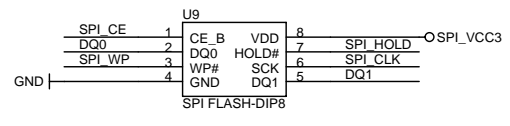
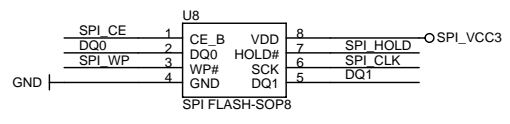
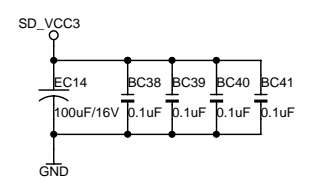
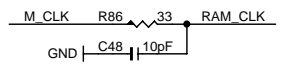
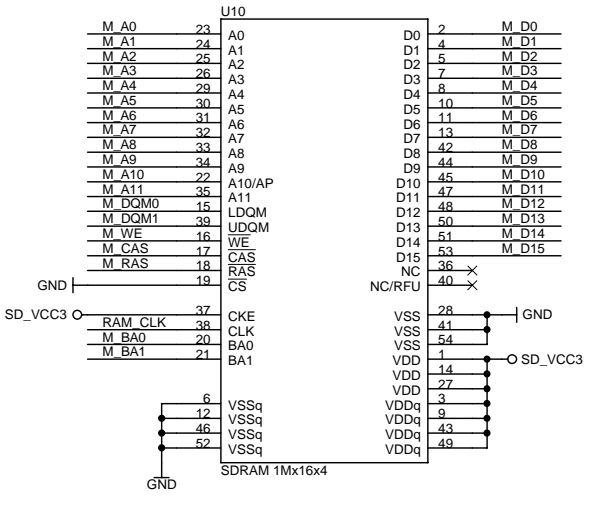
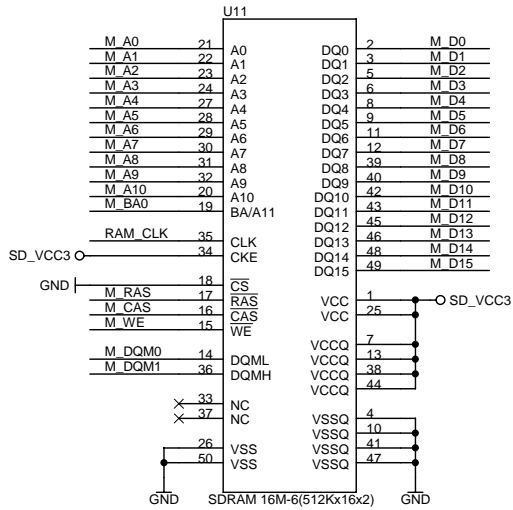
Doc: Doc8202R-128

Customer: **8202R-16-SY-128-0-CZ**

Date: Monday, May 14, 2007

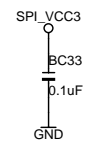
Page: 3 of 7

Rev: CZ



SPI Mode Setting

	2bit	1bit
R91	NC	0
R92	0	NC

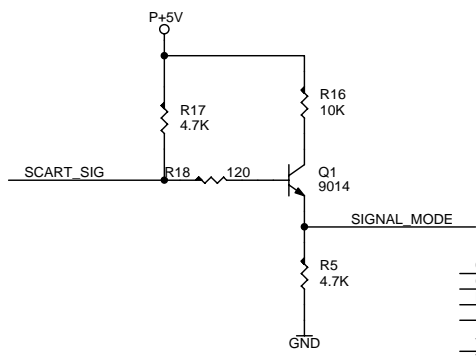
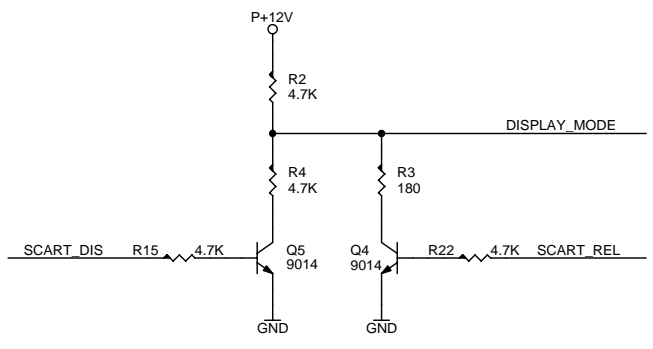
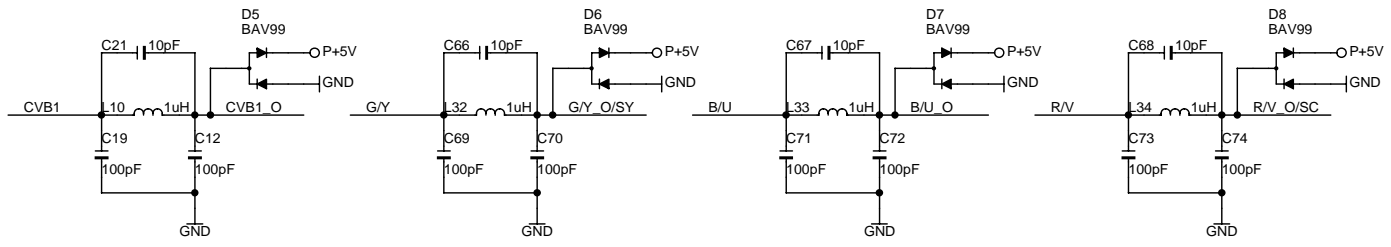


SUNPLUS

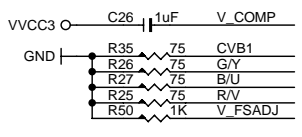
Title: **SDRAM / SPI FLASH**

Size: Custom Document Number: **8202R-16-SY-128-0-CZ** Rev: CZ

Date: Monday, May 14, 2007 Sheet 4 of 7



- CVB1 <<< TV_DAC0 3
- G/Y <<< TV_DAC1 3
- B/U <<< TV_DAC2 3
- R/V <<< TV_DAC3 3
- V_FSADJ <<< V_FSADJ 3
- V_COMP <<< V_COMP 3
- CVB1_O <<< CVB1_O 2
- G/Y_O/SY <<< G/Y_O 2
- R/V_O/SC <<< R/V_O 2
- B/U_O <<< B/U_O 2
- SCART_SIG <<< SCART_SIG 2,3
- SCART_DIS <<< SCART_DIS 2,3
- SCART_REL <<< SCART_REL 2,3
- SIGNAL_MODE <<< SIG_MODE 2
- DISPLAY_MODE <<< DIS_MODE 2



RELEASE_SCART	DISPLAY_MODE
0	Not RELEASE
1	RELEASE

SCART_DISPLAY	DISPLAY_MODE
0	12V(9.5V--12V 4:3)
1	6V(5V--8V 16:9)

SCART_SIG	SIGNAL_MODE
0	0V(CVBS)
1	3V(RGB)

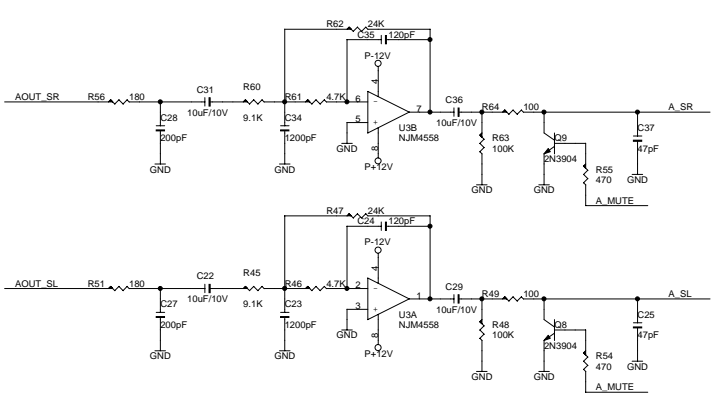
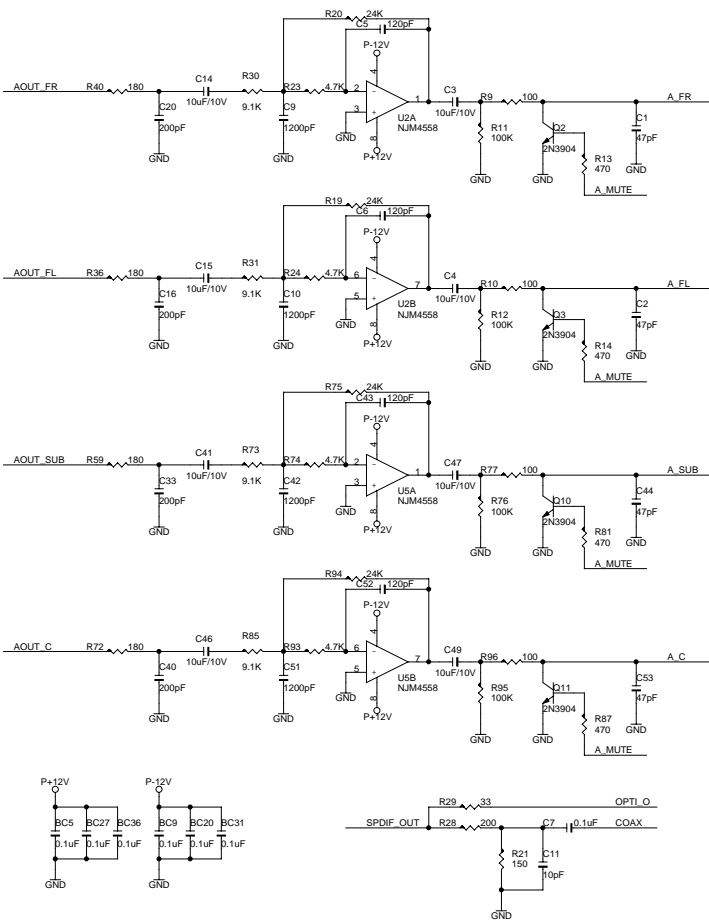
TV0	TV1	TV2	TV3
CVB	Y	Cb	Cr
CVB	Y(S-Video)	CVB	C(S-Video)
CVB	G	B	R

SUNPLUS

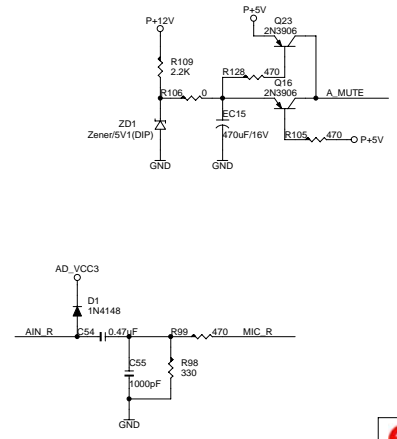
Title: **VIDEO**

Size: Custom Document Number: **8202R-16-SY-128-0-CZ** Rev: CZ

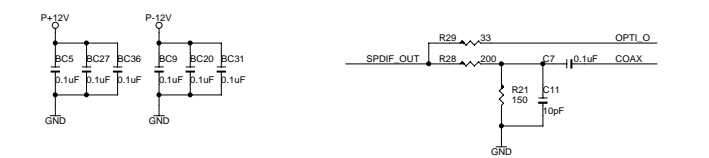
Date: Monday, May 14, 2007 Sheet 5 of 7



Power ON / OFF Mute



-A FR	A FR	2
-A FL	A FL	2
-A SR	A SR	2
-A SL	A SL	2
-A SUB	A SUB	2
-A C	A C	2
-AOUT_FR	AOUT_FR	3
-AOUT_FL	AOUT_FL	3
-AOUT_SR	AOUT_SR	3
-AOUT_SL	AOUT_SL	3
-AOUT_SUB	AOUT_SUB	3
-AOUT_C	AOUT_C	3
-COAX	COAX	2
-SPDIF_OUT	SPDIF_OUT	3
-AIN_R	AIN_R	3
-MIC_R	MIC_R	2
-OPTI_O	OPTI_O	2



SUNPLUS


Title: **AUDIO**

Size: Custom Document Number: **8202R-16-SY-128-0-CZ** Rev: CZ

Date: Monday, May 14, 2007 Sheet: 6 of 7

8202R GPIO LIST

PIN	GPIO	16M SDRAM	64M SDRAM
87	39	Servo HOME / CARD_RST	Servo HOME / CARD_RST
115	2	DVDVR	DVDVR / CARD_SENSE(2)
117	4	SD_D1 / MS_D1	SD_D1 / MS_D1
118	5	SD_D0 / SD_D0	SD_D0 / SD_D0
119	6	SD_CLK / MS_CLK	SD_CLK / MS_CLK
120	7	Servo TRAY_IS_IN / SD_CMD / MS_BS	Servo TRAY_IS_IN / SD_CMD / MS_BS
121	8	Servo TRAY_IS_OUT / SD_D3 / MS_D3	Servo TRAY_IS_OUT / SD_D3 / MS_D3
122	9	SD_D2 / MS_D2	SD_D2 / MS_D2
123	10	CDVR	CDVR / GAME_D1(2)
1	16	VFD_CLK	VFD_CLK
2	17	VFD_STB	VFD_STB
3	18	VFD_DATA	VFD_DATA
7	19	IR_IN	IR_IN
8	20	SCART_REL / GAME_LATCH	SCART_REL / GAME_LATCH
9	21	SCART_DIS / GAME_CLK	SCART_DIS / GAME_CLK
11	22	HSYNC(1) / RX(1)	HSYNC(1) / RX(1)
12	23	VSYNC(1) / TX(1)	VSYNC(1) / TX(1)
33	25	HSYNC(2) / RX(2) / CARD_SENSE(1)	M_A11
45	27	VSYNC(2) / TX(2) / GAME_D1(1)	M_BA1
52	29	SCART_SIG / GAME_D0	SCART_SIG / GAME_D0

 SUNPLUS		
Title		
GPIO LIST		
Size	Document Number	Rev
Custom	8202R-16-SY-128-0-CZ	CZ
Date:	Monday, May 14, 2007	Sheet 7 of 7